

Fauxwood

Wooden Blinds Installation Instructions

Please read the following installation and operating instructions carefully. We are unable to accept responsibility for products that have not been installed or operated correctly.

For this installation will need a pencil, drill, screwdriver, pliers, and appropriate fasteners.

Step 1 . Choose The Correct Fasteners For Installation

Wooden screws are included. Alternative fasteners should be used for aluminum or concrete installations (Not Included with Blinds)

- For wallboard or plaster: Use the provided hollow wall anchors for added support. For concrete, stone, brick or tile: Use an appropriate drill and appropriate anchors before fastening the screws
- For metal surfaces: Pre-drill holes and use and appropriate anchors before fastening the screws.

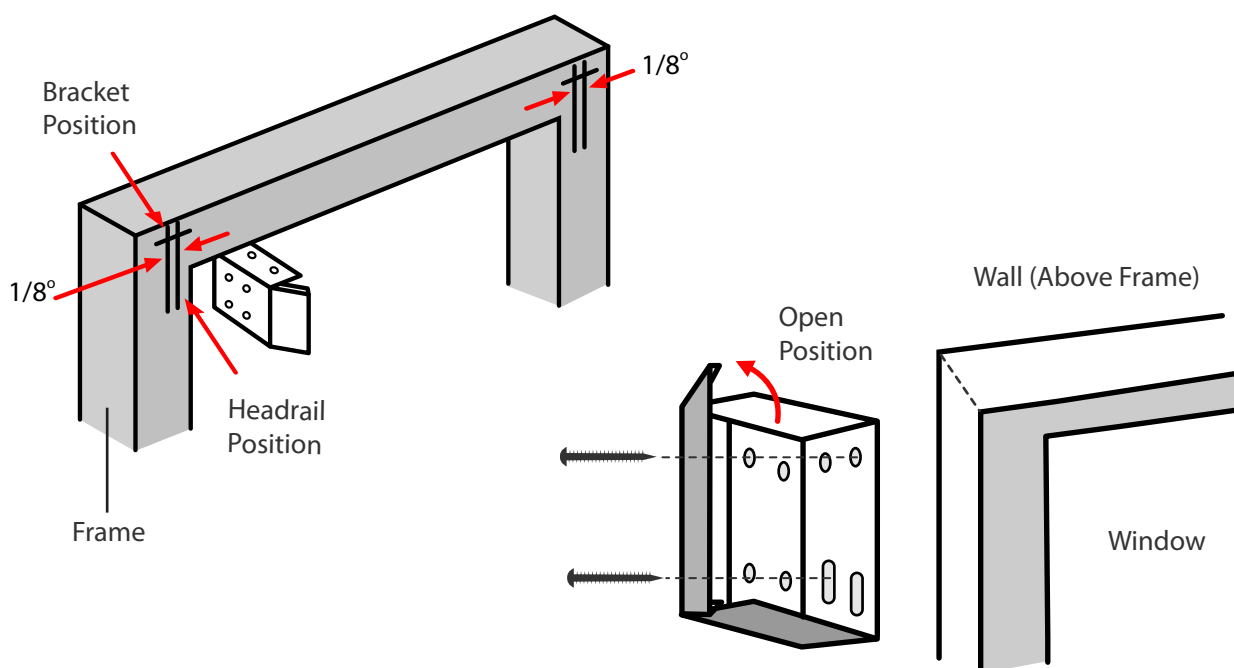
Step 2: Mark the Bracket Locations

The brackets should be positioned at each end of the headrail. If necessary, adjust the position of the brackets to avoid interfering with the operating components inside the headrail.

Using 2 screws per bracket, fasten the brackets to the mounting surface. Leave brackets in open position.

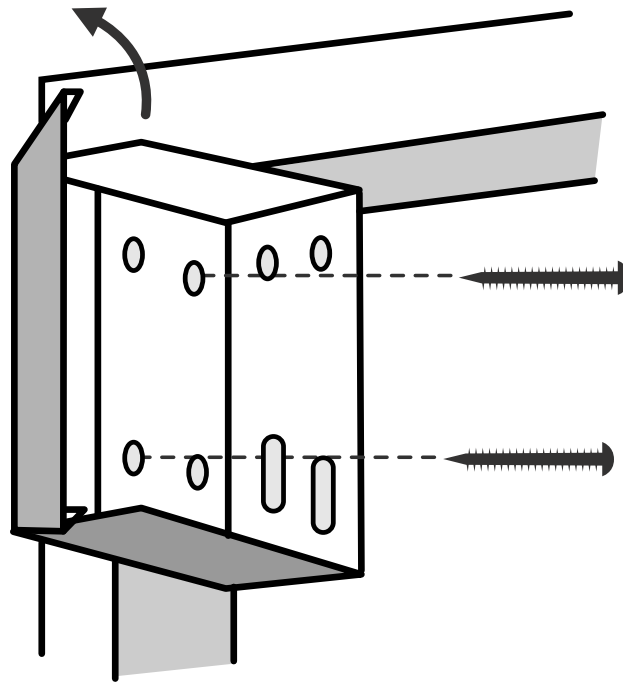
Inside mount brackets should be installed in the corners of the window frame.

Outside mount brackets should be positioned where you have marked your measurements originally.



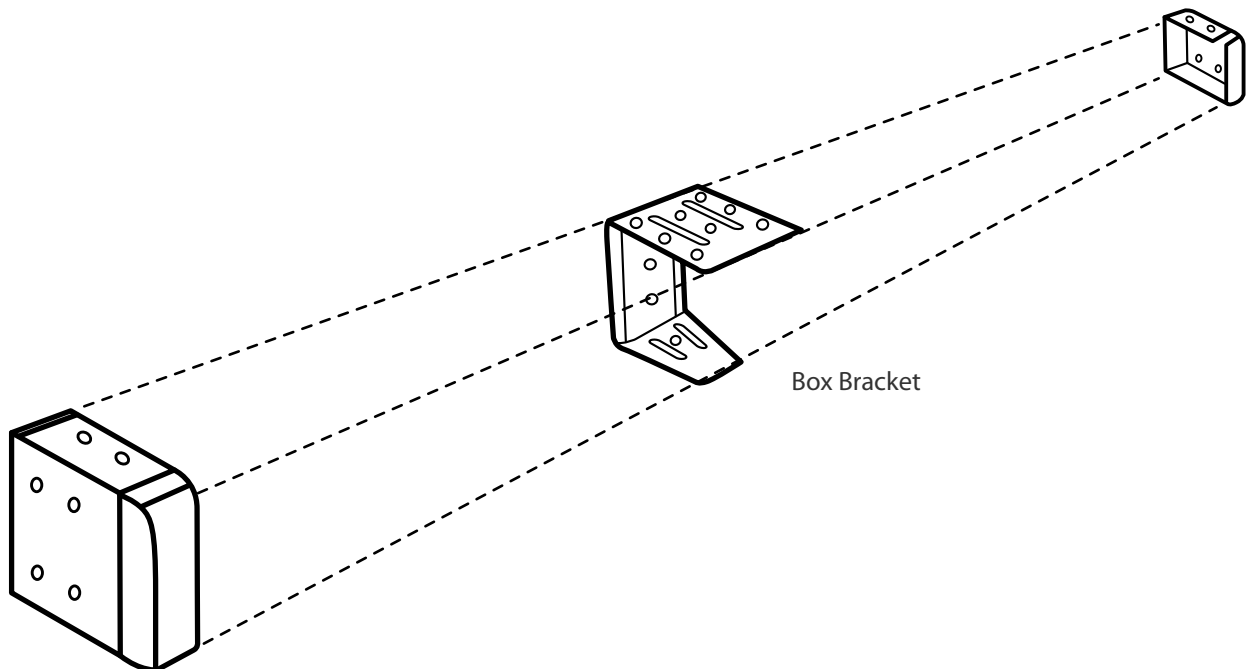
THANK YOU FOR SHOPPING WITH US

WWW.BESTBLINDS.CO.NZ



Step 3. Mounting Support Brackets Center (only if supplied with your blind)

When only one center support bracket is provided, position the center bracket in the center of the two mounting brackets. The center bracket can be moved to the right or left of center to make sure it does not interfere with mechanical components of your blind.



If more than one center support bracket is provided, they should be spaced evenly between the two mounting brackets.

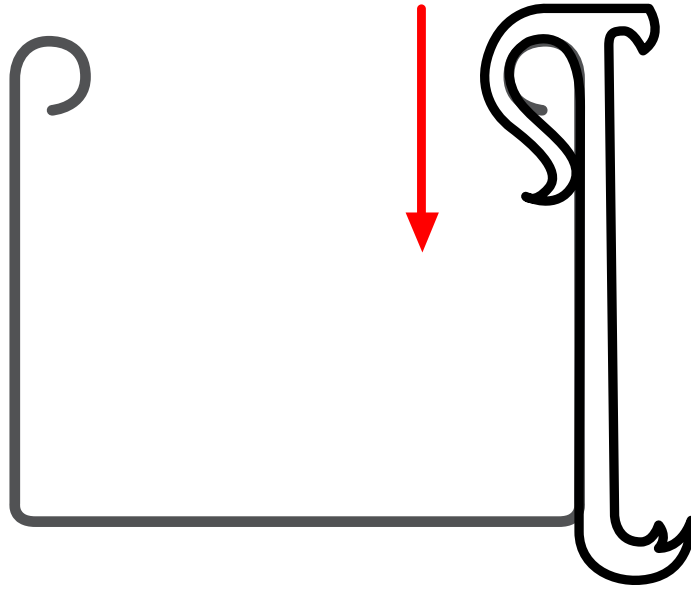
Step 4 . Placing The Valence Clips

Number of valence clips will vary according to the blind size.

The valence clips must be positioned before the blind is placed on the brackets.

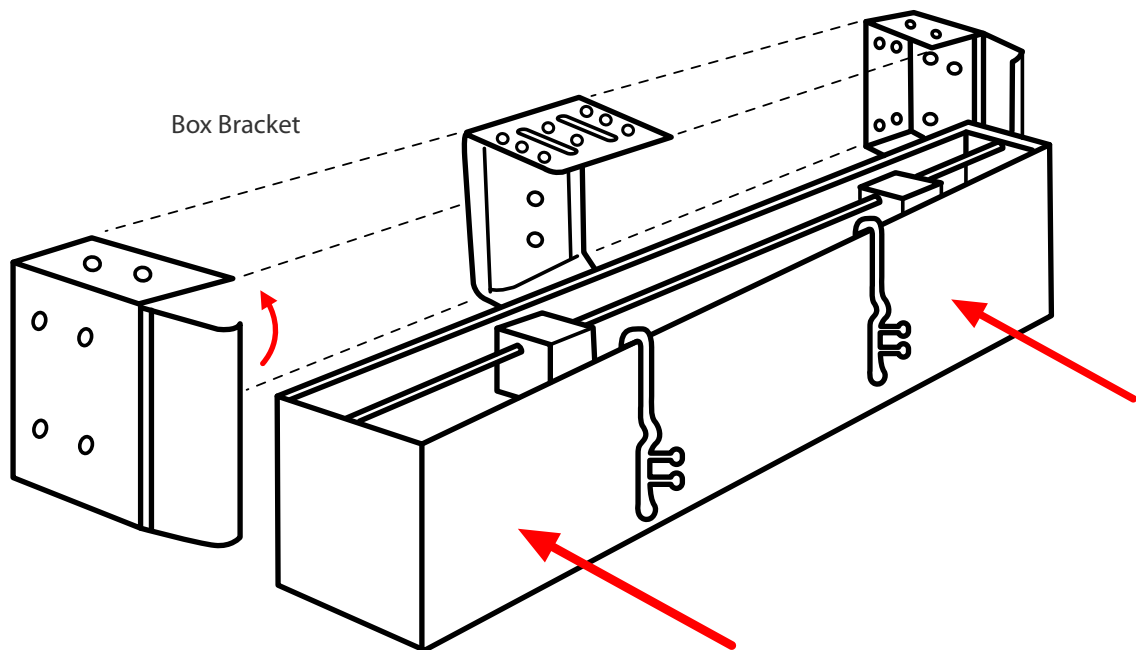
Place one valence clip either end of the blind at about 120mm from the edge of the headrail, distribute the remaining valence clips evenly through the headrail.

DO NOT attach valance at this time.



Step 5 . Placing Blind

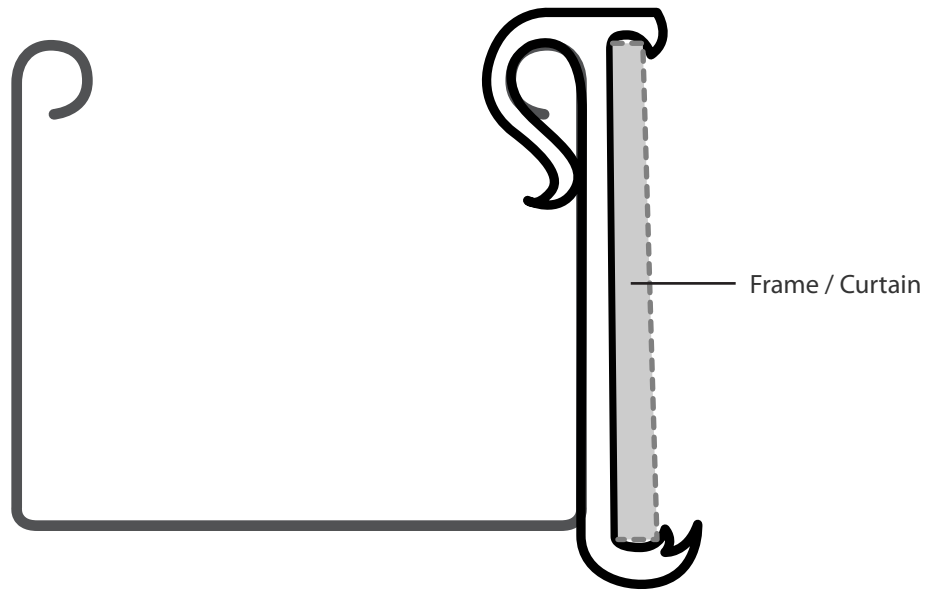
Fit the headrail into the brackets and close the swing flaps



THANK YOU FOR SHOPPING WITH US
WWW.BESTBLINDS.CO.NZ

Step 6. Attaching the valance

Hold the valance up to the headrail and clip the valance to the valance clips as illustrated.



THANK YOU FOR SHOPPING WITH US
WWW.BESTBLINDS.CO.NZ